

## SYSTEM energy

### ESK 130 **150 Watt**



#### Technical Specifications

<b>Component:</b>	2 way system	
<b>Size</b>	EV 130 woofer ET 20 tweeter	130 mm (5") 20 mm (3/4")
<b>Power Handling (Watt)</b>	peak continuous program	150 75
<b>Impedance</b>	Ohm	4
<b>Frequency response</b>	Hz	65 - 23k
<b>Sensitivity</b>	dB/SPL	91
<b>Outer diameter</b>	mm	130
<b>Mounting hole diameter</b>	mm	120
<b>Magnet size</b>	mm	80
<b>Total depth</b>	mm	60
<b>Mounting depth</b>	mm	56
<b>Weight of one component</b>	Kg	0,754

#### ET 20

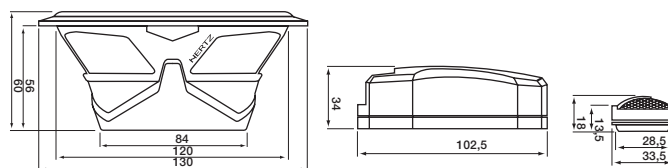
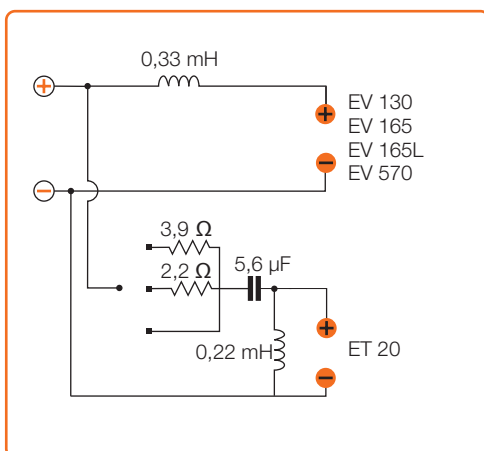
- 1 Tetolon dome; extremely light and well damped for a smooth and extended high frequency response.
- 2 20mm Ø, ultra light ferrofluid-cooled mobile voice coil.
- 3 High energy REN neodymium magnet.
- 4 Low carbon content plates for maximum magnetic permeability and high heat dissipation.
- 5 Damping material; controlling acoustic resonances insuring clear, brilliant high frequency tones.
- 6 High frequency diffraction lens, optimizing off-axis high frequency response.

#### EV 130

- 1 Low carbon content plates for maximum magnetic permeability and high heat dissipation.
- 2 Large motor assembly provides excellent voice coil control.
- 3 Pure copper voice coil wound on Til former, for very good thermal and mechanical capacity.
- 4 Vent hole provides linear excursion and better thermal dissipation.
- 5 Water-repellent treated paper cone.
- 6 "V" cone, for the best off-axis response, clear mid-high frequency detail and powerful bass.
- 7 Rubber magnet cover provides damping to the basket and motor structure and protects from abrasions and damages.
- 8 DIN size basket coated with scratch-proof, corrosive-resistant material.
- 9 High density rubber surround, glued with heat-resistant adhesive.
- 10 Epoxy glue for basket and motor system provides perfect coupling.
- 11 Curve memory Nomex spider for consistent, reliable performance.
- 12 Tin-plated, high current terminals.
- 13 Silver-plated lead wires for maximum reliability and conductivity.

\*Grille included

#### CX 200



## SYSTEM energy

### ESK 570 **200 Watt**

#### Technical Specifications

<b>Component:</b>	2 way system	
<b>Size</b>	EV 570 woofer	5"x7"
	ET 20 tweeter	20 mm (3/4")
<b>Power Handling (Watt)</b>	peak	200
	continuous program	100
<b>Impedance</b>	Ohm	4
<b>Frequency response</b>	Hz	60 - 23k
<b>Sensitivity</b>	dB/SPL	93
<b>Outer diameter</b>	mm	195
<b>Mounting hole diameter</b>	mm	184
<b>Magnet size</b>	mm	85
<b>Total depth</b>	mm	72
<b>Mounting depth</b>	mm	65
<b>Weight of one component</b>	Kg	0,948
<b>Woofer voice coil diameter</b>	mm	25

#### EV 570 Electro-Acoustic Parameters

<b>D</b>	mm	143
<b>Xmax</b>	mm	4,5
<b>Re</b>	Ohm	3,15
<b>Fs</b>	Hz	98
<b>Le</b>	mH@1kHz	0,48
<b>Le</b>	mH@10kHz	0,19
<b>Vas</b>	lit	7
<b>Mms</b>	gr	12,5
<b>Cms</b>	mm/N	0,2
<b>BL</b>	T-m	4,6
<b>Qts</b>		1,1
<b>Qes</b>		1,2
<b>Qms</b>		10,6
<b>Spl (1m/2,83V)</b>	dB	91



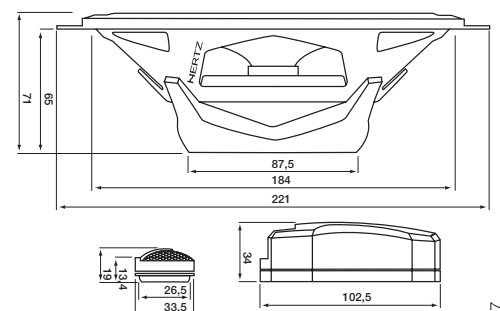
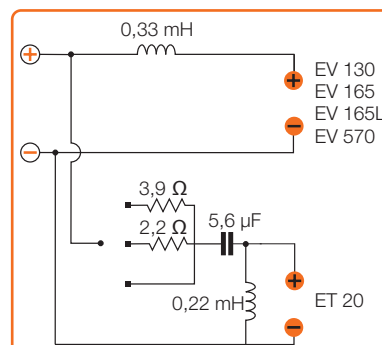
#### ET 20

- 1 Tetolon dome; extremely light and well damped for a smooth and extended high frequency response.
- 2 20mm Ø, ultra light ferrofluid-cooled mobile voice coil.
- 3 High energy REN neodymium magnet.
- 4 Low carbon content plates for maximum magnetic permeability and high heat dissipation.
- 5 Damping material; controlling acoustic resonances insuring clear, brilliant high frequency tones.
- 6 High frequency diffraction lens, optimizing off-axis high frequency response.

#### EV 570

- 1 Low carbon content plates for maximum magnetic permeability and high heat dissipation.
- 2 Large motor assembly provides excellent voice coil control.
- 3 Pure copper voice coil wound on Tii former, for very good thermal and mechanical capacity.
- 4 Vent hole provides linear excursion and better thermal dissipation.
- 5 Water-repellent treated paper cone.
- 6 "V" cone, for the best off-axis response, clear mid-high frequency detail and powerful bass.
- 7 Rubber magnet cover provides damping to the basket and motor structure and protects from abrasions and damages.
- 8 DIN size basket coated with scratch-proof, corrosive-resistant material.
- 9 High density rubber surround, glued with heat-resistant adhesive.
- 10 Epoxy glue for basket and motor system provides perfect coupling.
- 11 Curve memory Nomex spider for consistent, reliable performance.
- 12 Tin-plated, high current terminals.
- 13 Silver-plated lead wires for maximum reliability and conductivity.

#### CX 200



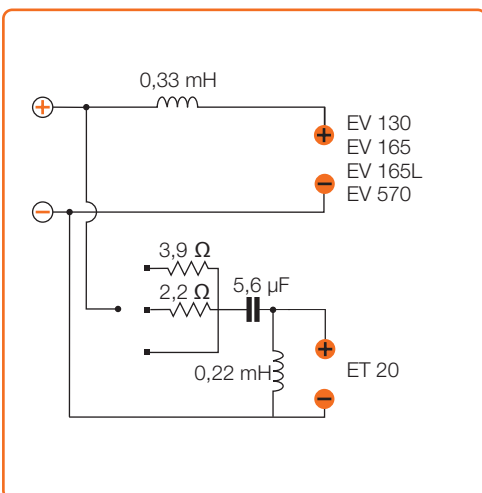
## SYSTEM energy

### ESK 165 **200 Watt**

#### Technical Specifications

<b>Component:</b>	2 way system	
<b>Size</b>	EV 165 woofer ET 20 tweeter	165 mm (6 <sup>1/2"</sup> ) 20 mm (3/4")
<b>Power Handling (Watt)</b>	peak continuous program	200 100
<b>Impedance</b>	Ohm	4
<b>Frequency response</b>	Hz	60 - 23k
<b>Sensitivity</b>	dB/SPL	93
<b>Outer diameter</b>	mm	165
<b>Mounting hole diameter</b>	mm	145
<b>Magnet size</b>	mm	85
<b>Total depth</b>	mm	72
<b>Mounting depth</b>	mm	66
<b>Weight of one component</b>	Kg	0,911

#### CX 200



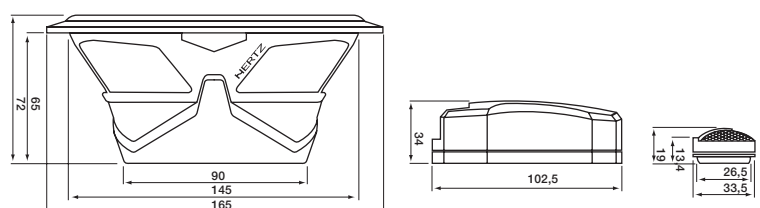
#### ET 20

- 1 Tetolon dome; extremely light and well damped for a smooth and extended high frequency response.
- 2 20mm Ø, ultra light ferrofluid-cooled mobile voice coil.
- 3 High energy REN neodymium magnet.
- 4 Low carbon content plates for maximum magnetic permeability and high heat dissipation.
- 5 Damping material; controlling acoustic resonances insuring clear, brilliant high frequency tones.
- 6 High frequency diffraction lens, optimizing off-axis high frequency response.

#### EV 165

- 1 Low carbon content plates for maximum magnetic permeability and high heat dissipation.
- 2 Large motor assembly provides excellent voice coil control.
- 3 Pure copper voice coil wound on Til former, for very good thermal and mechanical capacity.
- 4 Vent hole provides linear excursion and better thermal dissipation.
- 5 Water-repellent treated paper cone.
- 6 "V" cone, for the best off-axis response, clear mid-high frequency detail and powerful bass.
- 7 Rubber magnet cover provides damping to the basket and motor structure and protects from abrasions and damages.
- 8 DIN size basket coated with scratch-proof, corrosive-resistant material.
- 9 High density rubber surround, glued with heat-resistant adhesive.
- 10 Epoxy glue for basket and motor system provides perfect coupling.
- 11 Curve memory Nomex spider for consistent, reliable performance.
- 12 Tin-plated, high current terminals.
- 13 Silver-plated lead wires for maximum reliability and conductivity.

\*Grille included



## SYSTEM energy

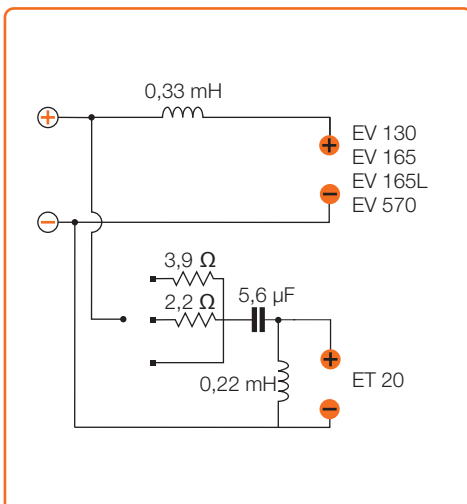
### ESK 165L 200 Watt



#### Technical Specifications

<b>Component:</b>	2 way system	
<b>Size</b>	EV 165L woofer	165 mm (6 <sup>11/2</sup> )
	ET 20 tweeter	20 mm (3/4")
<b>Power Handling (Watt)</b>	peak	200
	continuous program	100
<b>Impedance</b>	Ohm	4
<b>Frequency response</b>	Hz	50 - 23k
<b>Sensitivity</b>	dB/SPL	92
<b>Outer diameter</b>	mm	165
<b>Mounting hole diameter</b>	mm	145
<b>Magnet size</b>	mm	85
<b>Total depth</b>	mm	72
<b>Mounting depth</b>	mm	66
<b>Weight of one component</b>	Kg	0,920

#### CX 200



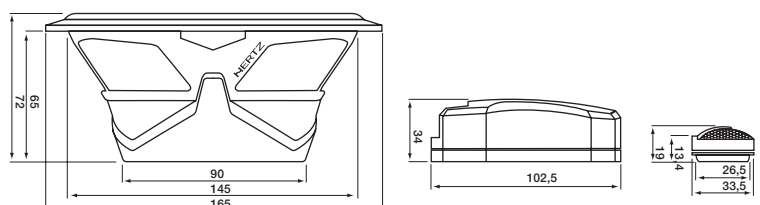
#### ET 20

- 1 Tetolon dome; extremely light and well damped for a smooth and extended high frequency response.
- 2 20mm Ø, ultra light ferrofluid-cooled mobile voice coil.
- 3 High energy REN neodymium magnet.
- 4 Low carbon content plates for maximum magnetic permeability and high heat dissipation.
- 5 Damping material; controlling acoustic resonances insuring clear, brilliant high frequency tones.
- 6 High frequency diffraction lens, optimizing off-axis high frequency response.

#### EV 165L

- 1 Low carbon content plates for maximum magnetic permeability and high heat dissipation.
- 2 Large motor assembly provides excellent, voice coil control.
- 3 Pure copper long throw voice coil wound on TiI former, for very good thermal and mechanical capacity.
- 4 Vent hole provides linear excursion and better thermal dissipation.
- 5 Water-repellent non-pressed paper cone provides deep, tight and dynamic bass output.
- 6 "V" cone, for the best off-axis response, clear mid-high frequency detail and powerful bass.
- 7 Rubber magnet cover provides damping to the basket and motor structure and protects from abrasions and damages.
- 8 DIN size basket coated with scratch-proof, corrosive-resistant material.
- 9 High density rubber surround, glued with heat-resistant adhesive.
- 10 Epoxy glue for basket and motor system provides perfect coupling.
- 11 Curve memory Nomex spider for consistent, reliable performance.
- 12 Tin-plated, high current terminals.
- 13 Silver-plated lead wires for maximum reliability and conductivity.

\*Grille included



## SYSTEM energy

### ESK 163L 250 Watt

#### Technical Specifications

<b>Component:</b>	3 way system	
<b>Size</b>	EV 165L woofer	165 mm (6 <sup>5/8"</sup> )
	EM 100 midrange	100 mm (4")
	ET 20 tweeter	20 mm (3/4")
<b>Power Handling (Watt)</b>	peak	250
	continuous	125
	program	
<b>Impedance</b>	Ohm	4
<b>Frequency response</b>	Hz	50 - 23k
<b>Sensitivity</b>	dB/SPL	92
<b>Outer diameter</b>	mm	165
<b>Mounting hole diameter</b>	mm	145
<b>Magnet size</b>	mm	85
<b>Total depth</b>	mm	72
<b>Mounting depth</b>	mm	66
<b>Weight of one component</b>	Kg	0,920



#### ET 20

- 1 Tetolon dome; extremely light and well damped for a smooth and extended high frequency response.
- 2 20mm Ø, ultra light ferrofluid-cooled mobile voice coil.
- 3 High energy REN neodymium magnet.
- 4 Low carbon content plates for maximum magnetic permeability and high heat dissipation.
- 5 Damping material; controlling acoustic resonances insuring clear, brilliant high frequency tones.
- 6 High frequency diffraction lens, optimizing off-axis high frequency response.

#### EV 165L

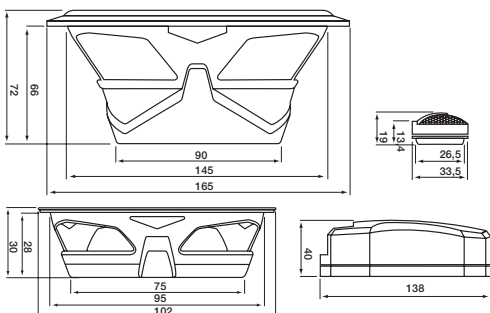
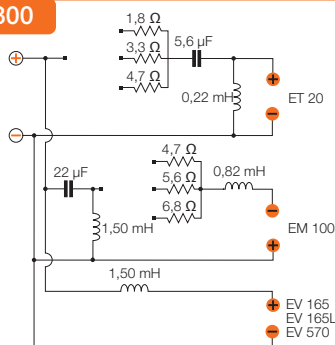
- 1 Low carbon content plates for maximum magnetic permeability and high heat dissipation.
- 2 Large motor assembly provides excellent, voice coil control.
- 3 Pure copper long throw voice coil wound on Til former, for very good thermal and mechanical capacity.
- 4 Vent hole provides linear excursion and better thermal dissipation.
- 5 Water-repellent non-pressed paper cone provides deep, tight and dynamic bass output.
- 6 "V" cone, for the best off-axis response, clear mid-high frequency detail and powerful bass.
- 7 Rubber magnet cover provides damping to the basket and motor structure and protects from abrasions and damages.
- 8 DIN size basket coated with scratch-proof, corrosive-resistant material.
- 9 High density rubber surround, glued with heat-resistant adhesive.
- 10 Epoxy glue for basket and motor system provides perfect coupling.
- 11 Curve memory Nomex spider for consistent, reliable performance.
- 12 Tin-plated, high current terminals.
- 13 Silver-plated lead wires for maximum reliability and conductivity.

#### EM 100

- 1 Low carbon content plates for maximum magnetic permeability and high heat dissipation.
- 2 REN Neodymium magnet and central T-Pole, for a perfectly symmetrical field; maximum energy using minimum space.
- 3 Pure copper voice coil wound on Til former, for very good thermal and mechanical capacity.
- 4 Pure copper covered pole piece, for linear impedance and the best acoustic performance for mid-high frequencies.
- 5 Water-repellent treated paper cone.
- 6 "V" cone, for the best off-axis response and clear mid-high frequency detail.
- 7 DIN size basket coated with scratch-proof, corrosive-resistant material.
- 8 Tin-plated, high current terminals.
- 9 Silver-plated lead wires for maximum reliability and conductivity.
- 10 Flat foam surround, for linear mid frequency response and larger radiating surface.
- 11 Epoxy glue for basket and motor system provides perfect coupling.
- 12 Curve memory Nomex spider for consistent, reliable performance.

\*Grilles included

#### CX 300



## energy

### New ENERGY: Raw power, refined style

ENERGY loudspeakers are the result of the HERTZ team's long experience and continuous research into automobile acoustics, as well as the deep knowledge of installation procedures. Their advanced engineering has been successfully combined with refined cosmetics to match with their high efficiency, stunning dynamics and musical accuracy. The 18 different components are the perfect way to ensure effortless reproduction in the most demanding situations. Add a powerful amplifier; the excellent timbre and high power handling make ENERGY the ideal choice for every system.

### COMP

**ENERGY** woofers ensure excellent acoustic quality, thanks to a powerful and symmetrical motor structure and to the pressed paper "V" cone. The DIN size basket and the compact size make it easy to install in almost every factory OEM location. With the EV 165L, the long throw voice coil design and water repellent non-pressed paper cone provide deep, tight bass output.



**EM 100** midrange: with its small size and shallow depth it can be installed in locations that would have been deemed impossible until now. The perfect addition ensuring excellent acoustic quality in challenging locations.



**ET 20** is a revolutionary tweeter with Tetolon dome; its unique design was conceived to ensure state-of-the-art performance in the smallest space. The provided mounting hardware allows easy installation in the most challenging locations.



**CX 200** and **CX 300** ENERGY system crossovers feature an aggressive, cosmetically appealing housing which protects the efficient, refined network: easy installation, reference acoustical performance in the mobile environment and the utmost reliability.



### COAX

**ECX ENERGY COAX** feature the world renowned Tetolon dome tweeter with built-in crossover. Off-axis response can be controlled with the proprietary RHFC™ technology. ECX 87 has an excellent dome-cone tweeter with built-in crossover. In addition to this, ECX 690 has a Mylar supertweeter to ensure the best possible efficiency and high frequency extension. No other coaxial components can ensure the outstanding sound linearity, off-axis response and timbre quality of ENERGY loudspeakers.



### SUB

**ENERGY ES** subwoofers were designed to work best when used in small enclosures. However, their electro-acoustic parameters are optimised for use in many different enclosure types; both in terms of typology (sealed box, reflex, bandpass, etc.) and in size, ensuring extraordinary versatility and performance. The use of a long excursion mobile voice coil and a high flux density double magnet have created subwoofers that can stand very high power with outstanding musicality and bursting dynamics. The special finish and butyl rubber rings offer protection along with an aggressive look.

