

diEci
SUB **WOOFER**

DS 300.3 600 W



Technical Specifications

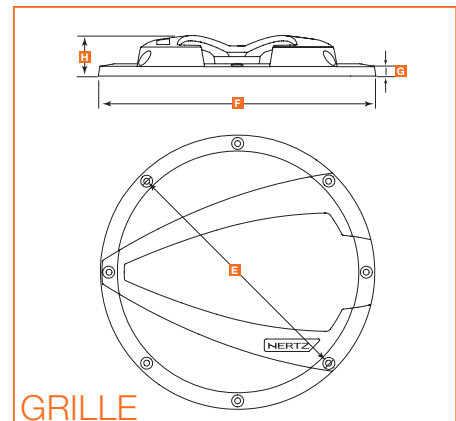
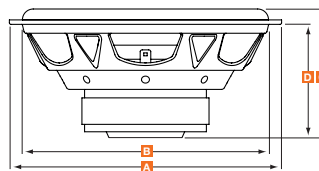
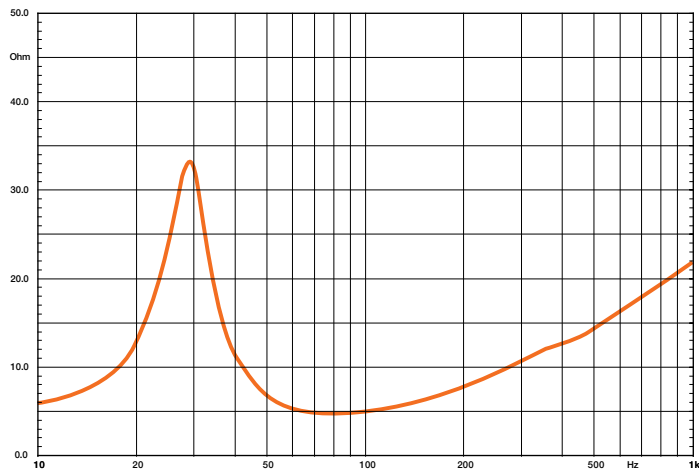
Component	Subwoofer	
Size	mm (in.)	300 (12)
Power handling W	peak	600
	cont. program	300
Impedance	Ω	4
Frequency response	Hz	28 ÷ 300
Sensitivity	dB/SPL	93
Magnet size	mm	134 x 60 x 25
D x d x h	(in.)	(5.3 x 2.4 x 1)
Total Driver Displacement	l (cu.in)	1,8 (0.06)
Voice Coil \varnothing	mm (in.)	50 (1.97)
Magnet	High Density flux ferrite	
Cone	Polypropylene with Mica injection	
Weight of one component	kg (lb.)	4,1 (9.0)
*X-mech	mm (in.)	17 (0.67)

* X-mech: maximum mechanic excursion; indicates the maximum linear motion range of the speaker in both directions.

1. V-cone® with polypropylene membrane stiffened with mineral powders.
2. 50 mm pure copper voice coil, wound on aluminium former, for very good thermal and mechanical capacity.
3. Designed to be used in small sealed or reflex box.
4. High excursion butilic rubber surround.
5. Massive magnet structure with forced ventilation system.
6. Spider with integrated lead wires .
7. Very high efficiency, superior power handling.
8. Protective grille included for a thrilling look and speaker protection.

Electro-Acoustic Parameters

D	mm	258
Xmax	mm	10
Re	Ω	3,3
Fs	Hz	31
Vas	l	75
Mms	g	138
Cms	mm/N	0,19
BL	T m	13,9
Qts	-	0,41
Qes	-	0,46
Qms	-	4,13
Spl	dB	93



A	306 mm (12 in.)
B	279 mm (11 in.)
C	134 mm (5.3 in.)
D	122 mm (4.8 in.)
E	295 mm (11.6 in.)
F	312 mm (12.3 in.)
G	14 mm (0.6 in.)
H	41 mm (1.6 in.)

GRILLE