

**diEci**  
**SUB** **WOOFER**

**DS 250.3 400 W**



**Technical Specifications**

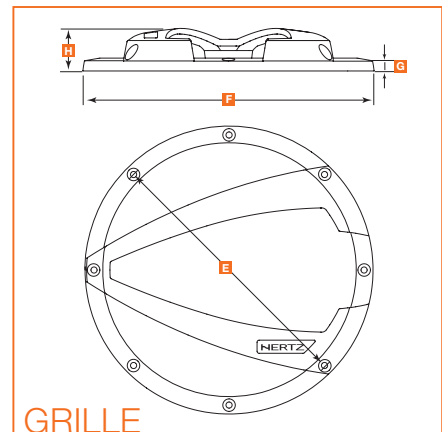
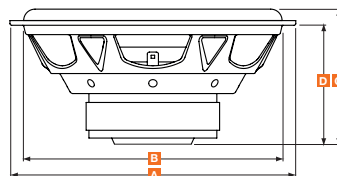
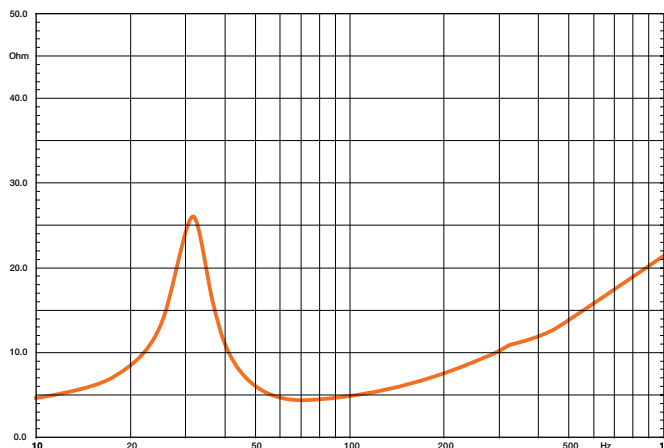
Component	Subwoofer	
Size	mm (in.)	250 (10)
Power handling W	peak	400
	cont. program	200
Impedance	Ω	4
Frequency response	Hz	32 ÷ 400
Sensitivity	dB/SPL	90
Magnet size	mm	120 x 60 x 25
D x d x h	(in.)	(4.7 x 2.4 x 1)
Total Driver Displacement	l (cu.in)	1,2 (0.04)
Voice Coil Ø	mm (in.)	50 (1.97)
Magnet	High Density flux ferrite	
Cone	Polypropylene with Mica injection	
Weight of one component	kg (lb.)	3,1 (6.8)
*X-mech	mm (in.)	17 (0.67)

\* X-mech: maximum mechanic excursion; indicates the maximum linear motion range of the speaker in both directions.

1. V-cone® with polypropylene membrane stiffened with mineral powders.
2. 50 mm pure copper voice coil, wound on aluminium former, for very good thermal and mechanical capacity.
3. Designed to be used in small sealed or reflex box.
4. High excursion butilic rubber surround.
5. Massive magnet structure with forced ventilation system.
6. Spider with integrated lead wires .
7. Very high efficiency, superior power handling.
8. Protective grille included for a thrilling look and speaker protection.

**Electro-Acoustic Parameters**

D	mm	215
Xmax	mm	10
Re	Ω	3,2
Fs	Hz	33
Vas	l	39
Mms	g	112
Cms	mm/N	0,21
BL	T m	11,3
Qts	-	0,51
Qes	-	0,59
Qms	-	3,94
Spl	dB	90



A	257 mm (10.2 in.)
B	234 mm (9.2 in.)
C	118 mm (4.7 in.)
D	106 mm (4.2 in.)
E	245 mm (9.7 in.)
F	263 mm (10.4 in.)
G	12 mm (0.5 in.)
H	38 mm (1.5 in.)

**GRILLE**